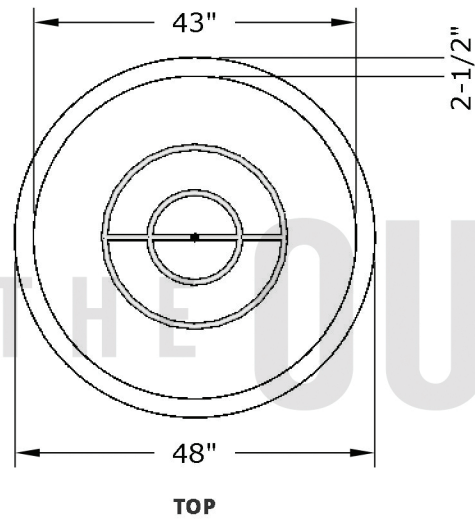
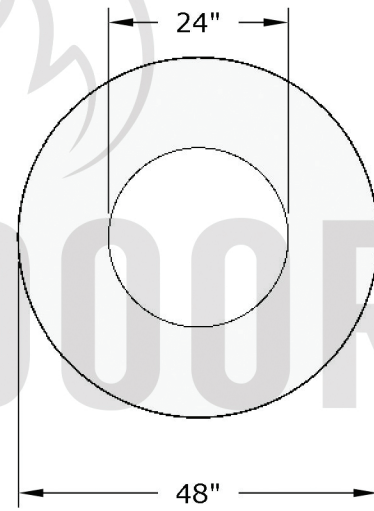


FRONT

Replacement Part Numbers



TOP



BOTTOM



Orion - 48" Fire Pit

Page Number	1 of 1
Author: Bryant Uribe	4/13/2018
Approved By: Gabriel Estrada	4/13/2018

Part Number	OPT-SS48FP
Material	Steel / Stainless Steel
Finishes	Brushed Stainless Steel
Gas Type	Natural Gas (-NG) or Liquid Propane (-LP)
Weight	155 lbs.
BTUs	150,000
Suggested Fire Glass	100 lbs.
Access Door	N/A

ITEM NO.	REPLACEMENT PART NUMBER	QTY.
1	OPT-161	1

Proprietary & Confidential: The information contained in this drawing is the sole property of **The Outdoor Plus**. Any reproduction or as a whole without written permission of **The Outdoor Plus** is prohibited.